

Electric Bolt Lock

Installation Guide V1.0.0



Revision History

Date	Manual Version	Description	Author
1/15/2023	V1.0.0	Initial release	GW3317

Contents

1 Overview	4
2 Installation	5
2.1 Prepare Installation Tools	5
2.2 Check the Installation Site	5
2.3 Install the Lock	5
2.3.1 Install the Lock on a Wooden Door	6
2.3.2 Install the Lock on a Glass Door	8
2.3.3 Install the Lock with a U-Bracket	10
3 Wiring	12

1 Overview

OEA-EL12 electric bolt lock can lock/unlock doors by current on/off. It has adjustable lock time delay (0s, 3s, 6s, 9s) and ultra-low power consumption, uses a coil that can work continuously at ultra-low temperatures, and is strong and durable, safe and eco-friendly.




Optional brackets: OEA-ES12-U electric bolt lock U-bracket (for frameless glass doors), OEA-ES13-U strike plate U-bracket

OEA-EL12 Electric Bolt Lock



2 Installation

2.1 Prepare Installation Tools

Screwdriver set (Phillips, torx bit)	 Used to secure the lock.
Marker	Used to mark holes.
Tape measure	 Used to measure dimensions.
Electric drill	 Used to drill holes.
Insulation, waterproof tape	Used to wrap the cable connection.
Claw hammer	Used to open holes for mounting the lock body.
Cutter	Used to groove on the door.

2.2 Check the Installation Site

The lock is suitable for glass, wooden and fire doors.

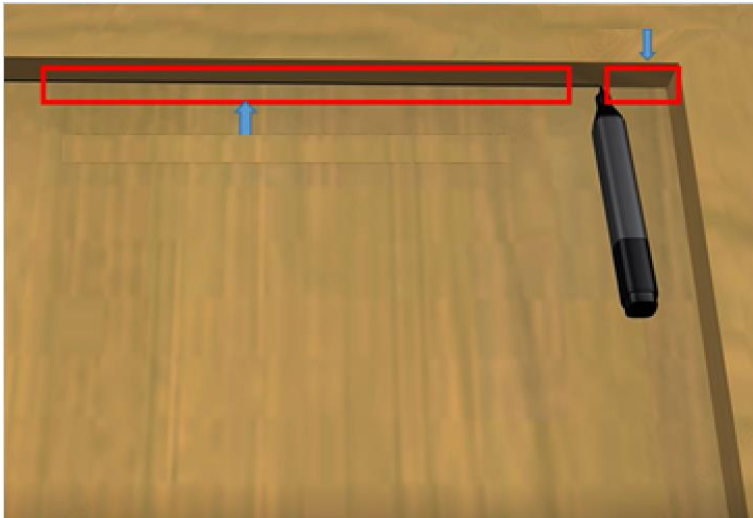
- Check if the door meets the installation conditions (such as hole opening and holding-force).
- Check if there is an available power supply (DC12V, 1A) at the installation site.

2.3 Install the Lock

The lock can be installed on glass, wooden and fire doors. As the installation on wooden and fire doors are the same, so this section only describes the installation on wooden and glass doors.

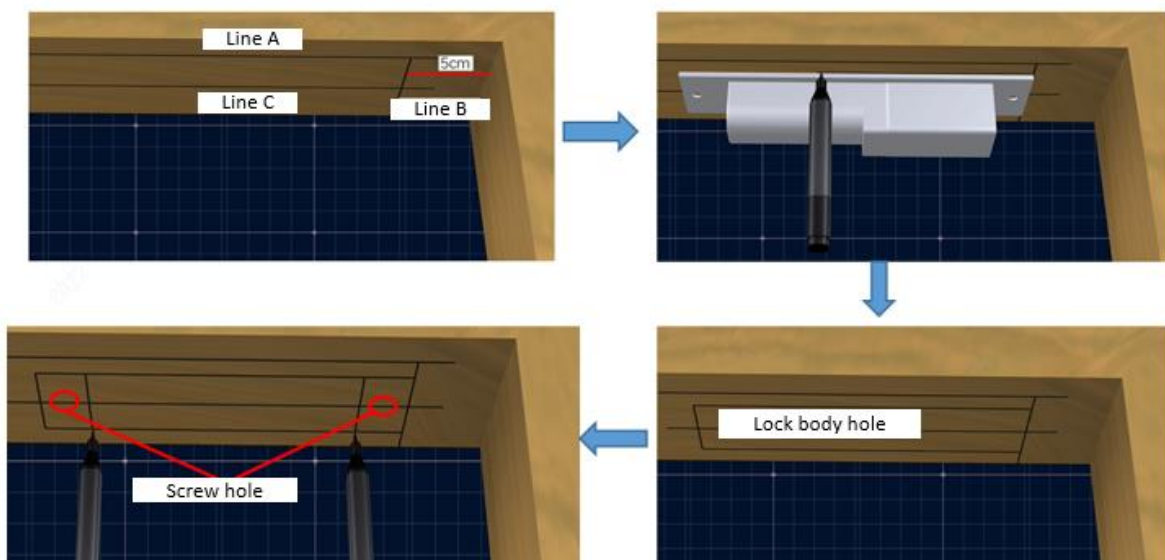
2.3.1 Install the Lock on a Wooden Door

1. Close the door and draw a guide line along the top edge of the door on the top jamb.



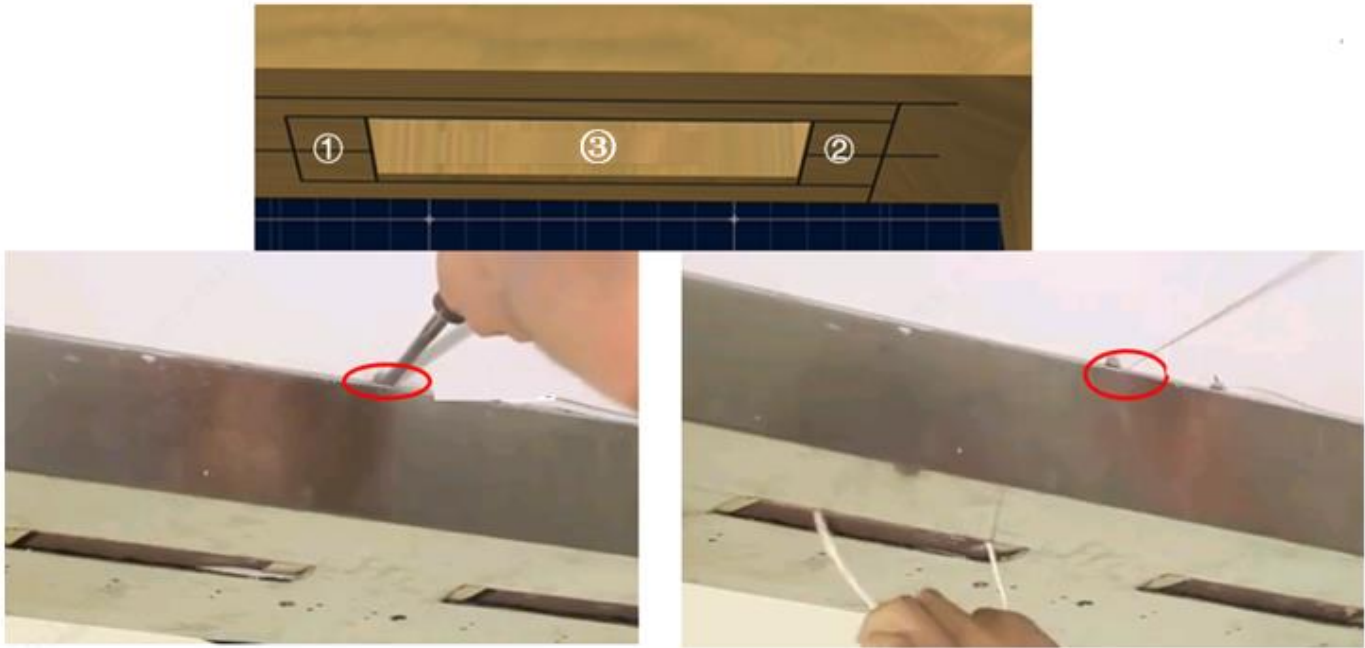
2. Mark mounting holes.

- Draw a line (line B) perpendicular to the guide line (line A) 5cm from the side jamb, and then draw the perpendicular bisector (line C) of the line B.
- Place the lock body on the top jamb, with the short side aligned with line B and the center line aligned with line C, and then trace around the edge of the lock body.
- Draw a line about 2cm from the edge of the lock body, and the intersection with line C is the screw mounting hole.



3. Drill holes.

- Use a cutter to cut a 45mm deep hole at area 3, and a 3mm deep hole at area 1 and 2.
- Drill a hole at the connection of the top jamb and the wall for wiring.

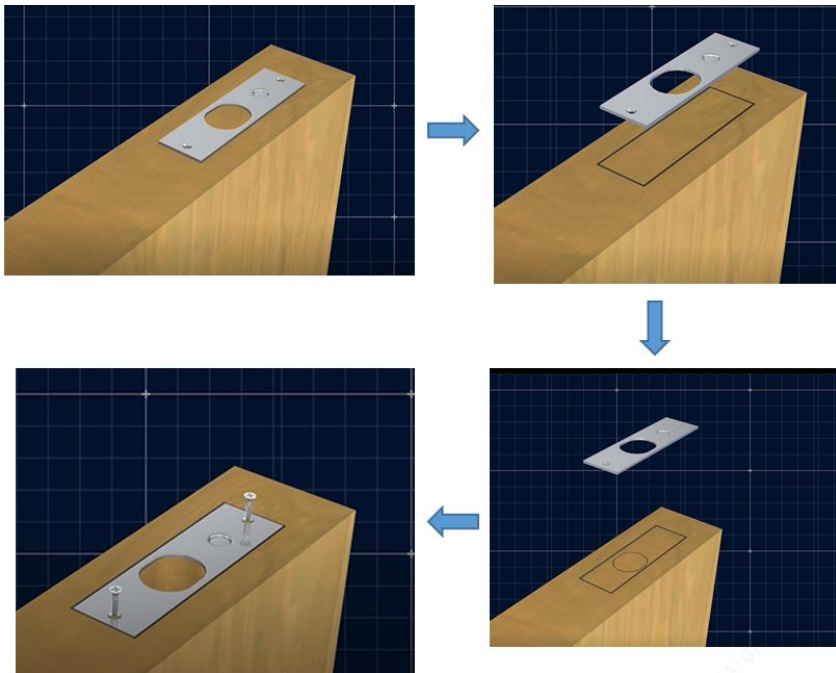


4. Install the lock body. Put the lock body and faceplate into the holes and secure them with screws.



5. Install the strike plate.

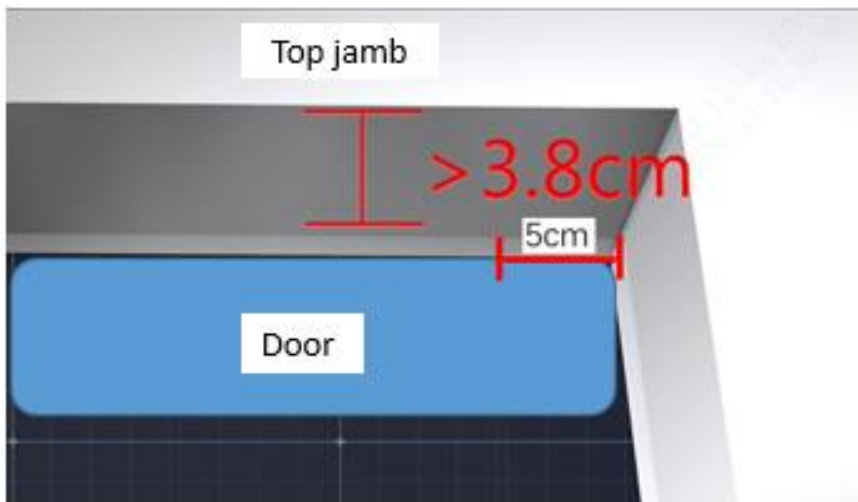
- Place the strike plate on top of the door with the bolt hole aligned with the bolt.
- Mark the position of the plate and bolt hole.
- Drill holes according to the depth of the plate and bolt.
- Fix the plate to the hole with screws.



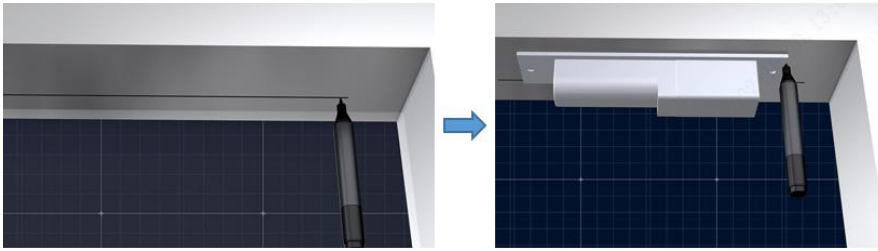
2.3.2 Install the Lock on a Glass Door

Installation requirements:

- The lock shall be installed 5cm away from the side jamb.
- Ensure that the door is more than 3.8cm from the edge of top jamb when it is closed in place.

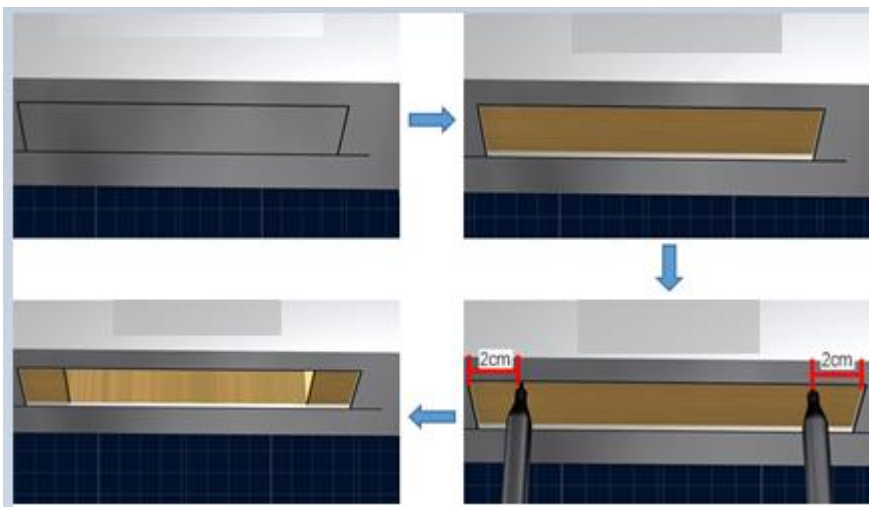


1. Mark mounting holes.
 - Close the door and draw a guide line along the top edge of the door on the top jamb.
 - Align the edge of the lock body with the guide line, and then trace around the edge of the lock body.



2. Drill holes.

- Use a cutter to cut a 3mm deep hole for the faceplate.
- Reserve 2cm on the left and right sides of the faceplate hole for screws.
- Cut a deeper hole, about 45mm, in the faceplate hole with 2cm reserved on left and right.



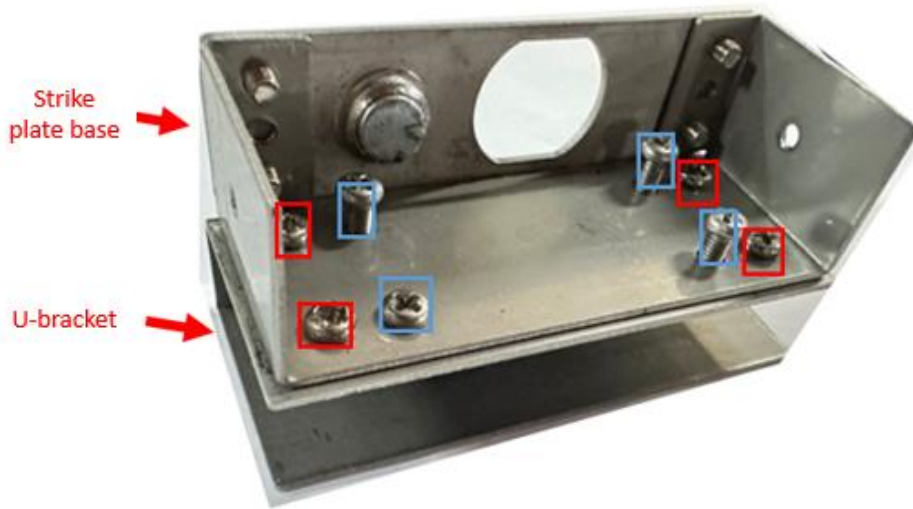
3. Install the lock body and faceplate.

- Insert the lock body into the 45mm deep hole, and attach the faceplate to the lock body.
- Secure them with screws.

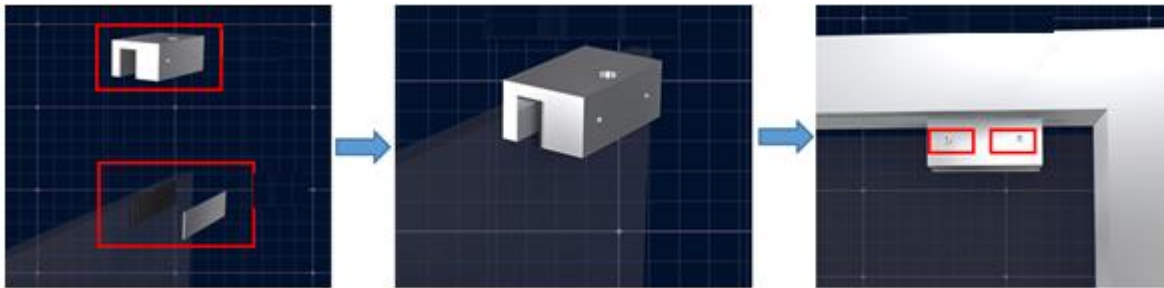


4. Fix the strike plate base and U-bracket together.

- Attach the strike plate base to the U-bracket and secure them with screws.
- Tighten the screws marked by the red box and loosen the screws marked by the blue box.



5. Install the U-bracket and spacers.
 - Place the two spacers in the U-bracket and mount the U-bracket to the door head.
 - Close the door and move the bracket to align the hole with the bolt.
 - Tighten the screws marked by the blue box in step 4.



CAUTION!

One more U-bracket is required if the door frame is frameless glass.

2.3.3 Install the Lock with a U-Bracket

Note: The U-bracket is suitable for 100mm to 200mm thick door frames and 70mm to 150mm thick doors.

1. Fit the lock base and the U-bracket together with screws (make sure the base opening is opposite to the bracket opening).



2. Loosen the 5 black screws in the U-bracket with the L-key, and attach the non-slip spacer to the side of the bracket without screws.



- Align the groove of the U-bracket with the top jamb, push the U-bracket upward until it fits the top jamb completely, and then tighten the black screws.



- Fix the bracket cover to the bracket and screw on the left and right sides.



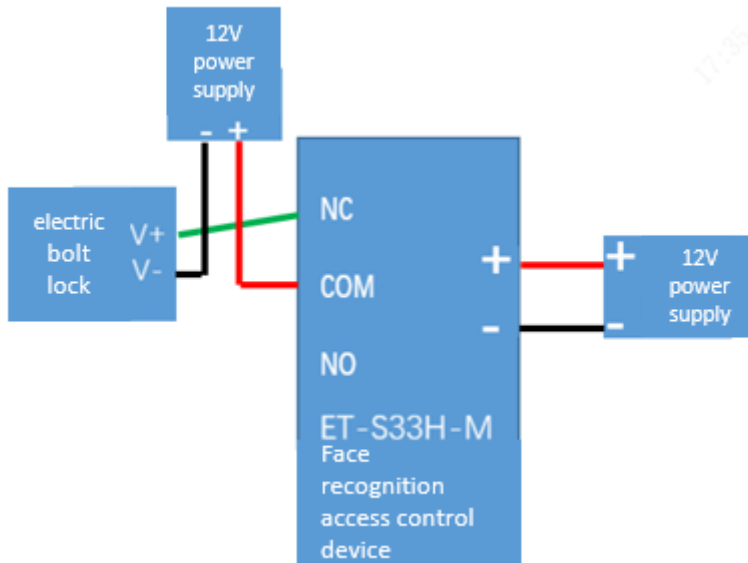
- Insert the lock body into the bracket, lead the cables out through the cable hole on the cover, and then tighten the two screws on the left and right sides of the faceplate.



- Install the strike plate bracket (see step 4 and 5 in [2.3.2](#)).

3 Wiring

- Wiring to face recognition access control devices (take ET-S33H 7-inch as an example)



- Wiring to access controllers (take ER-SR22 as an example)

